

HIGH POWER LASER MODULE WITH FIBER OUTPUT

ALC-RGB-100

Features

- Detachable 200 μ m SMA-fiber
- Thermistor
- Power monitor
- Compact footprint 35 mm x 38 mm

Applications

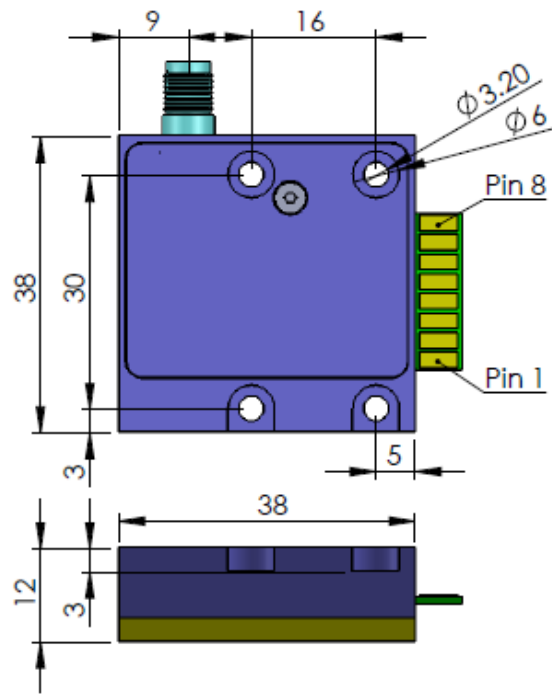
- Entertainment



| Specifications | | | | |
|------------------------------|------------------|---------|---------|---------|
| Optical Parameters | Units | | | |
| Center Wavelength | nm | 445 | 520 | 638 |
| Wavelength Tolerance | nm | ± 5 | ± 5 | ± 5 |
| Spectral Width (FWHM) | nm | 3 | 3 | 2 |
| Wavelength Temp. Coefficient | nm/ $^{\circ}$ C | 0.06 | 0.06 | 1.2 |
| Output Power | mW | 100 | 80 | 120 |
| Operating Current | mA | 100 | 200 | 165 |
| Operating Voltage | V | 5.3 | 6.5 | 2.7 |
| Threshold Current | mA | 25 | 60 | 50 |
| Fiber Parameters | | | | |
| Fiber Core Diameter | μ m | 200 | | |
| Numerical Aperture | | 0.22 | | |
| Fiber Connector | | SMA-905 | | |

Pin-Out

1. Red Laser Anode
2. Red Laser Cathode
3. Laser Diode Anode
4. Thermistor
5. Thermistor
6. Power monitor (+)
7. Power monitor (-)
8. Laser Diode Cathode



These components do not comply with the Federal Regulations (21 CFR Subchapter 1) as administered by the Center for Devices and Radiological health.

Purchaser acknowledges that his/her products must comply with these regulations before they can be sold.

Akela Laser Corporation reserves right to change any specifications.

AKELA Laser Corporation

1095 Cranbury South River Road, Suite 14, Jamesburg, NJ 08831, USA
 Phone: (732) 305-7105 e-mail: info@AKELALaser.com web: www.AKELALaser.com