

HIGH POWER DIODE LASER MODULE WITH FIBER OUTPUT

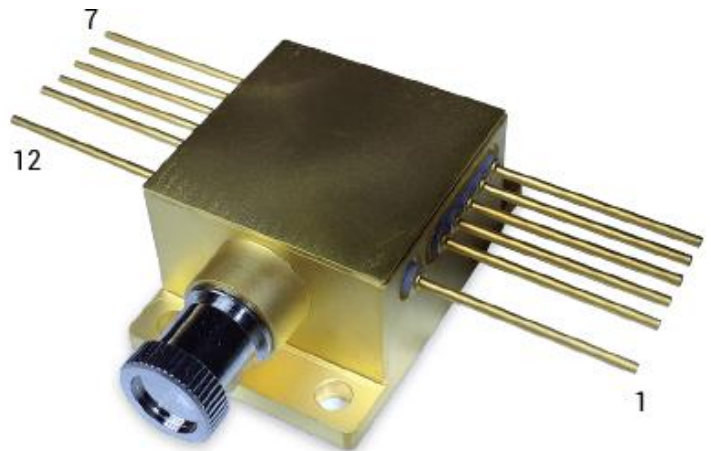
ALC-940-15000-FM200.22

Features

- Compact size
- Detachable 200 μ m SMA-fiber
- Thermistor
- Power monitor

Applications

- Pumping Solid State Lasers
- Medical



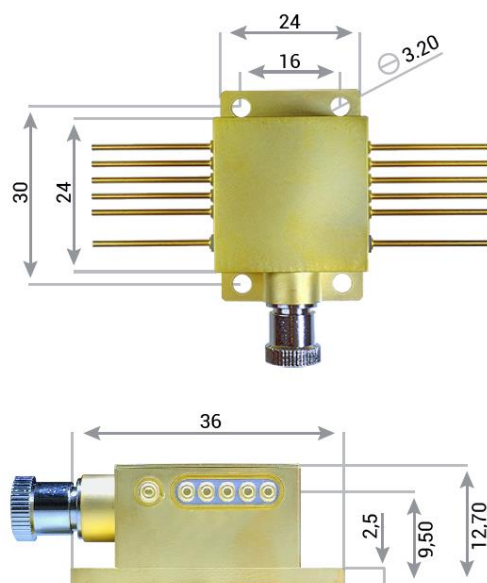
Specifications

Optical Parameters	Units	
Center Wavelength	nm	940
Wavelength Tolerance	nm	± 3
Spectral Width (FWHM)	nm	3.0
Wavelength Temp. Coefficient	nm/ $^{\circ}$ C	0.3
Output Power	W	>15
Operating Current	A	15
Operating Voltage	V	<2.0
Threshold Current	mA	1050

Fiber Parameters		
Fiber Core Diameter	μ m	200
Numerical Aperture		0.22
Fiber Connector		SMA-905

Pin-Out

1. TEC (+)
2. Thermistor
3. Not connected
4. Laser Diode Anode
5. Laser Diode Anode
6. Power monitor (+)
7. Power monitor (-)
8. Laser Diode Cathode
9. Laser Diode Cathode
10. Not connected
11. Thermistor
12. TEC (-)



These components do not comply with the Federal Regulations (21 CFR Subchapter 1) as administered by the Center for Devices and Radiological health.

Purchaser acknowledges that his/her products must comply with these regulations before they can be sold.

Akela laser Corporation reserves right to change any specifications.

AKELA Laser Corporation

1095 Cranbury South River Road, Suite 14, Jamesburg, NJ 08831, USA

Phone: (732) 305-7105 e-mail: info@AKELALaser.com web: www.AKELALaser.com