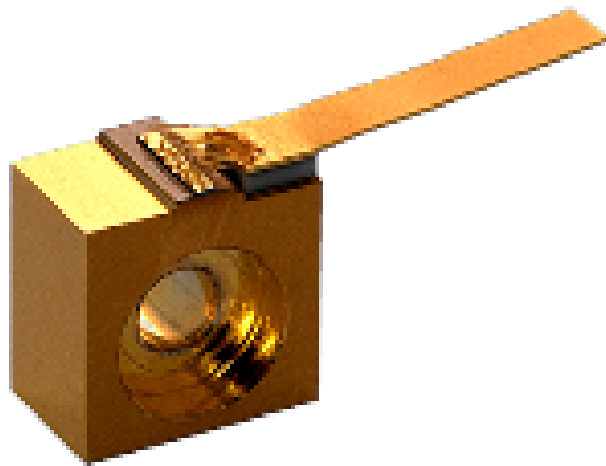


HIGH POWER DIODE LASER

ALC-915-18000-CB

The C-mount is an ideal component for quick prototyping and laboratory setups. However, the maximum output power is typically limited by the inherently sub-optimal heat dissipation properties of the C-mount itself.

Please contact us to discuss the best package option for your application.

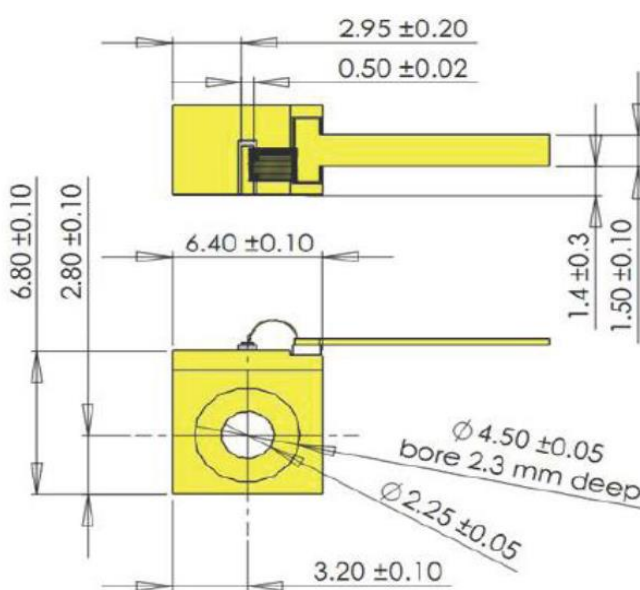


Applications

- Pumping Yb Fiber Laser
- Medical
- Material Processing

Specifications

Optical Parameters	Units	
Center Wavelength	nm	915
Wavelength Tolerance	nm	±3
Spectral Width (FWHM)	nm	3.0
Wavelength Temp. Coefficient	nm/°C	0.3
Output Power	W	18
Operating Current	A	18
Operating Voltage	V	<2.0
Threshold Current	A	1.05
Emitter width	µm	190
Beam divergence fast axis, 95%	degrees	58
Beam divergence slow axis, 95%	degrees	11.5



These components do not comply with the Federal Regulations (21 CFR Subchapter 1) as administered by the Center for Devices and Radiological health.

Purchaser acknowledges that his/her products must comply with these regulations before they can be sold.

Akela laser Corporation reserves right to change any specifications.