

## HIGH POWER LASER MODULE WITH FIBER OUTPUT

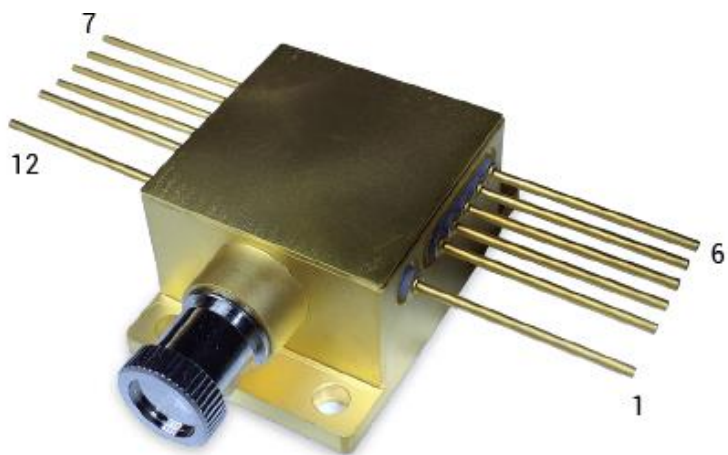
ALC-375-0060-FM200.22

### Features

- Compact size
- Detachable 200 $\mu$ m SMA-fiber
- Thermistor
- Power monitor

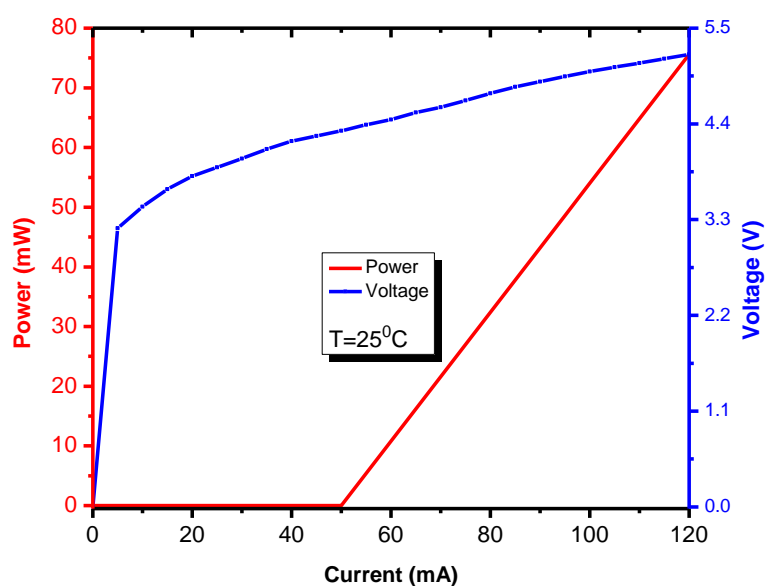
### Applications

- Medical
- Solid State Laser Pumping



### Specifications

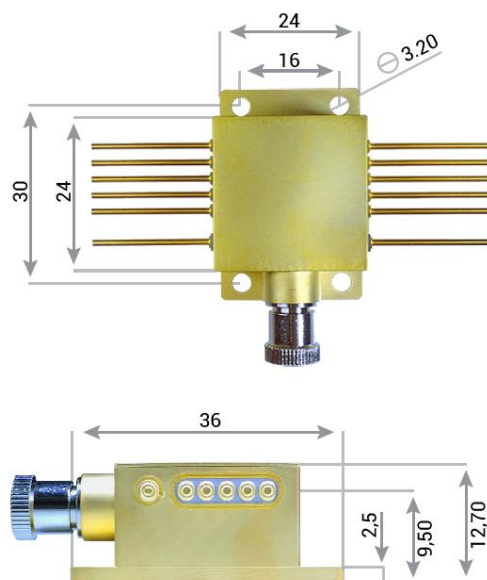
Optical Parameters	Units	
Center Wavelength	nm	375
Wavelength Tolerance	nm	$\pm 5$
Spectral Width (FWHM)	nm	0.7
Wavelength Temp. Coefficient	nm/ $^{\circ}$ C	0.07
Output Power	W	>60
Operating Current	A	110
Operating Voltage	V	<5.4
Threshold Current	mA	50



Fiber Parameters		
Fiber Core Diameter	$\mu$ m	200
Numerical Aperture		0.22
Fiber Connector		SMA-905

### Pin-Out

1. TEC (+)
2. Thermistor
3. Not connected
4. Laser Diode Anode
5. Laser Diode Anode
6. Power monitor (+)
7. Power monitor (-)
8. Laser Diode Cathode
9. Laser Diode Cathode
10. Not connected
11. Thermistor
12. TEC (-)



These components do not comply with the Federal Regulations (21 CFR Subchapter 1) as administered by the Center for Devices and Radiological health.

Purchaser acknowledges that his/her products must comply with these regulations before they can be sold.

Akela laser Corporation reserves right to change any specifications.