

HIGH POWER LASER MODULE WITH FIBER OUTPUT

ALC-1720-03000-FM200.22-TRIO

Features

- Detachable 200 μ m SMA-fiber
- Thermistor
- Power monitor
- Compact footprint 35 mm x 38 mm
- Red pilot laser

Applications

- Medical
- Solid State Laser Pumping



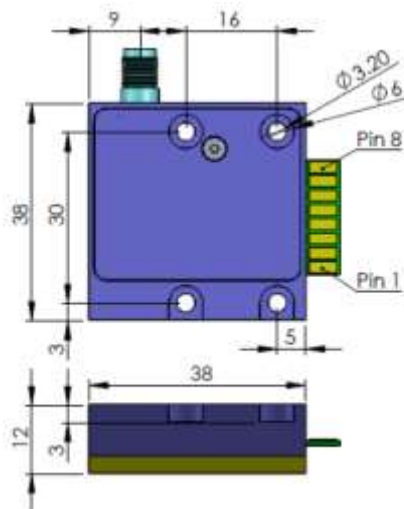
Specifications

Optical Parameters	Units	
Center Wavelength	nm	1720
Wavelength Tolerance	nm	± 20
Spectral Width (FWHM)	nm	10
Wavelength Temp. Coefficient	nm/ $^{\circ}$ C	0.38
Output Power	W	>3
Operating Current	A	6.25
Operating Voltage	V	<2.7
Threshold Current	A	0.7

Fiber Parameters		
Fiber Core Diameter	μ m	200
Numerical Aperture		0.22
Fiber Connector		SMA-905

Pin-Out

1. Red Laser Anode
2. Red Laser Cathode
3. Laser Diode Anode
4. Thermistor
5. Thermistor
6. Power Monitor for 1470nm Laser (+)
7. Power Monitor for 1470nm Laser (-)
8. Laser Diode Cathode



These components do not comply with the Federal Regulations (21 CFR Subchapter 1) as administered by the Center for Devices and Radiological Health.

Purchaser acknowledges that his/her products must comply with these regulations before they can be sold.

Akela Laser Corporation reserves right to change any specifications.