

## HIGH POWER DIODE LASER

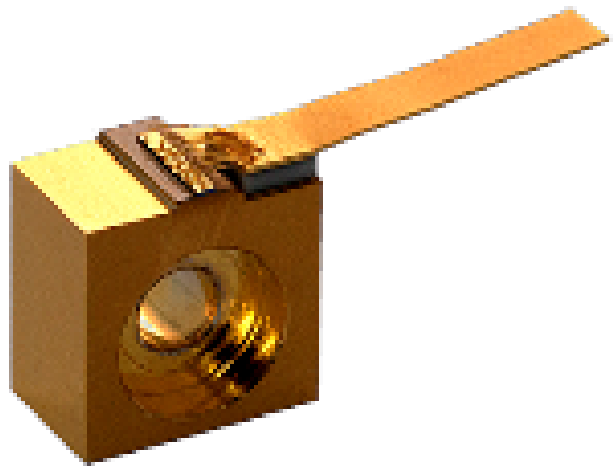
*ALC-1320-4500-CB*

The C-mount is an ideal component for quick prototyping and laboratory setups. However, the maximum output power is typically limited by the inherently sub-optimal heat dissipation properties of the C-mount itself.

Please contact us to discuss the best package option for your application.

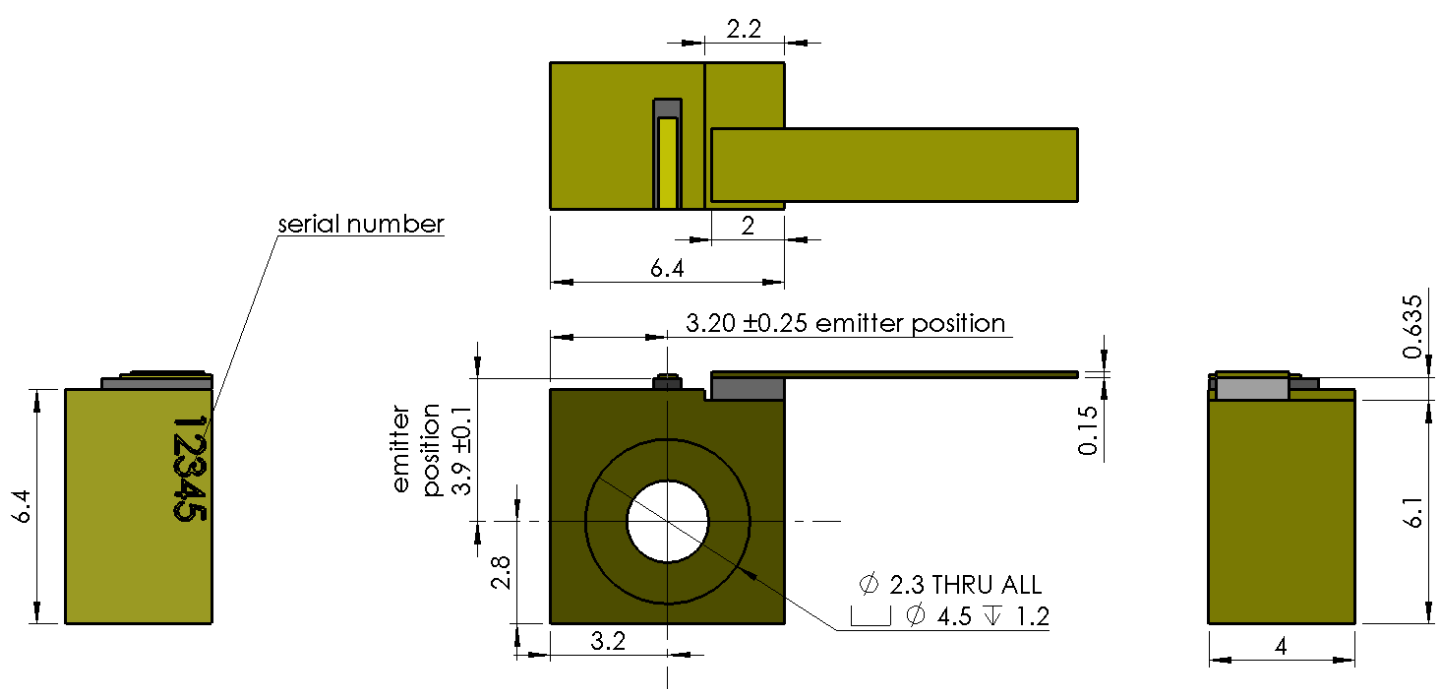
### Applications

- Medical
- Material Processing



### Specifications

Optical Parameters	Units	
Center Wavelength	nm	1320
Wavelength Tolerance	nm	±10
Spectral Width (FWHM)	nm	10.0
Wavelength Temp. Coefficient	nm/°C	0.5
Output Power	W	>4.5
Operating Current	A	9
Operating Voltage	V	<1.5
Threshold Current	A	0.7
Emitter width	µm	100
Beam divergence fast axis, FWHM	degrees	34
Beam divergence slow axis, FWHM	degrees	8



These components do not comply with the Federal Regulations (21 CFR Subchapter 1) as administered by the Center for Devices and Radiological health.

Purchaser acknowledges that his/her products must comply with these regulations before they can be sold.

Akela laser Corporation reserves right to change any specifications

## AKELA Laser Corporation

1095 Cranbury South River Road, Suite 14, Jamesburg, NJ 08831, USA

Phone: (732) 305-7105 e-mail: [info@AKELALaser.com](mailto:info@AKELALaser.com) web: [www.AKELALaser.com](http://www.AKELALaser.com)