

HIGH POWER LASER MODULE WITH FIBER OUTPUT

ALC-1210-25000-FM400.22-TRIO

Features

- Detachable 400µm SMA-fiber
- Thermistor
- Power monitor
- Compact footprint 35 mm x 38 mm
- Red pilot laser

Applications

- Medical
- Material Processing



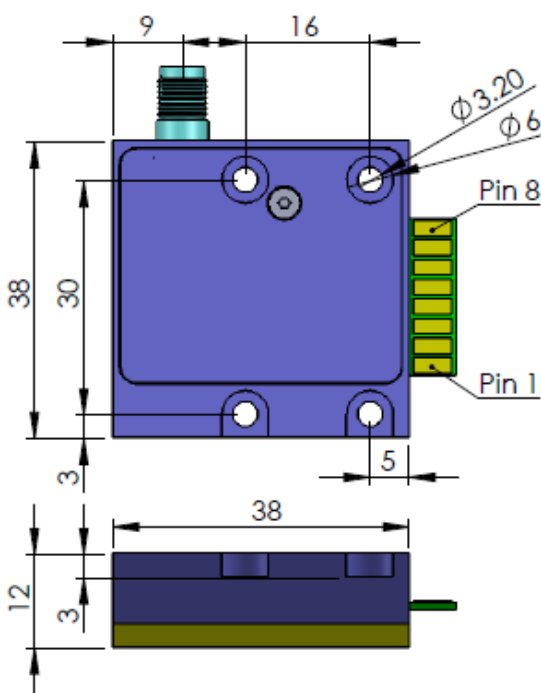
Specifications

Optical Parameters	Units	
Center Wavelength	nm	1210
Wavelength Tolerance	nm	±10
Spectral Width (FWHM)	nm	9
Wavelength Temp. Coefficient	nm/°C	0.5
Output Power	W	25
Operating Current	A	16.5
Operating Voltage	V	<4.5
Threshold Current	A	1.0

Fiber Parameters		
Fiber Core Diameter	µm	400
Numerical Aperture		0.22
Fiber Connector		SMA-905

Pin-Out

1. Red Laser Anode
2. Red Laser Cathode
3. Laser Diode Anode
4. Thermistor
5. Thermistor
6. Power monitor (+)
7. Power monitor (-)
8. Laser Diode Cathode



These components do not comply with the Federal Regulations (21 CFR Subchapter 1) as administered by the Center for Devices and Radiological health.

Purchaser acknowledges that his/her products must comply with these regulations before they can be sold.

Akela laser Corporation reserves right to change any specifications.