



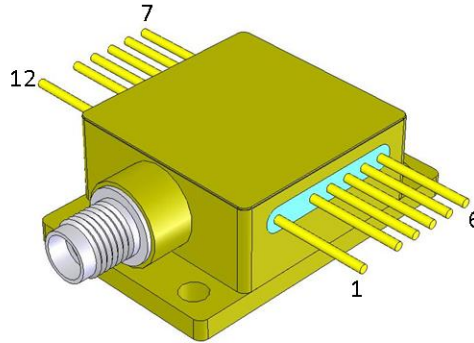
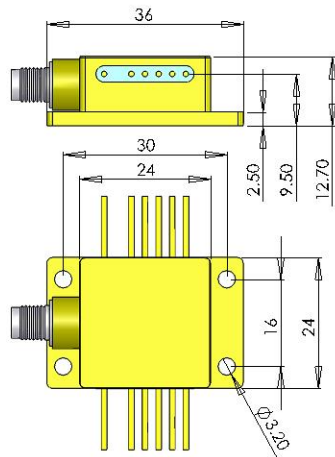
1210 nm Laser Module with Fiber Output

The Package

AKELA's mHHL package is a mini-version of an industry standard HHL package. Smaller size is achieved without compromising the performance due to better integration of the components and using more advanced laser chips in combination with effective thermal management.

Specifications

Optical Parameters		
Center Wavelength	nm	1210
Center Wavelength Tolerance	nm	±10
Output Power	W	4
Operating Parameters		
Operating Current (IOP)	A	7
Operating Voltage (VOP)	V	1.5
Operating Temperature	°C	20
Fiber Parameters		
Numerical Aperture	NA	0.22
Fiber Core Diameter	μm	400
Fiber Connector		SMA
Included Features		
Temperature Sensor NTC	Ohm	10k
Power Monitor Photodiode		Yes



- SMA connector
- Mounting holes for M3 or 4-40 screws

Pin-out of the mHHL laser

Pin #	Description	Comment
1	TEC (+)	
2	Thermistor	
3		
4	Laser Diode Anode	Pins 4 & 5 are connected. The use of both pins is recommended for drive currents > 6A
5	Laser Diode Anode	
6	Power Monitor Anode	Power monitor added upon request.
7	Power Monitor Cathode	
8	Laser Diode Cathode	Pins 8 & 9 are connected. The use of both pins is recommended for drive currents > 6A
9	Laser Diode Cathode	
10		
11	Thermistor	
12	TEC (-)	