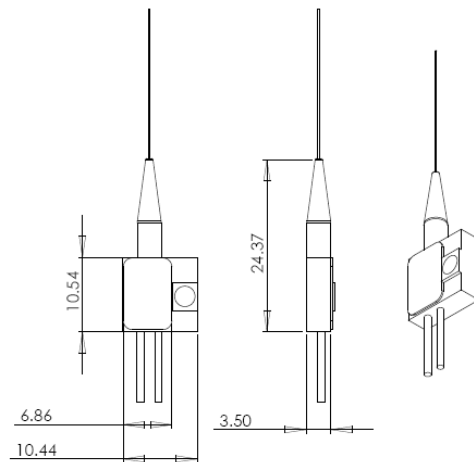
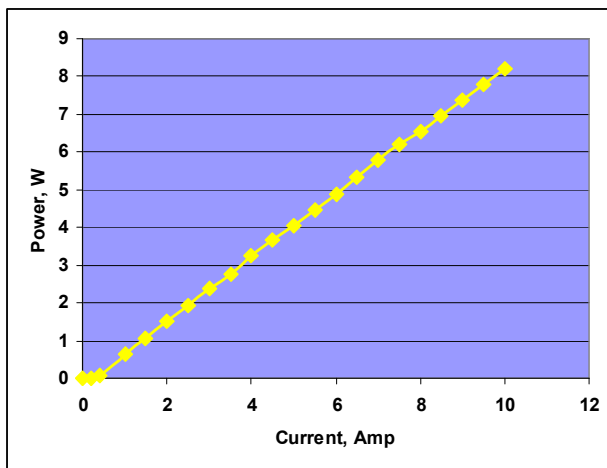


905 nm/ 915 nm/ 940 nm/ 980 nm Pump Laser Diode Data Sheet

AKELA's 905nm / 915nm / 940nm / 980nm pump laser diodes deliver an unmatched combination of output power, high-brightness and reliability from a single emitter. In addition to the pump package shown below, AKELA offers infrared laser diode modules in two other standard packages, as well as custom infrared fiber coupled laser diode packages with any fiber diameter or NA desired. Please contact us to discuss your specific requirements, including wavelengths not listed.

Device Specifications	Minimum	Typical	Maximum
CW Output Power, W	6.5	7	9
Spectral Width (FWHM), nm	<3	<3	<3
Threshold Current, mA	260	290	350
Slope Efficiency, W/A	0.85	0.90	0.95
EO Efficiency, %	>47	50	54
Maximum Current, A	8	10	15
Operating Voltage, V	1.65	1.75	1.9
Fiber AFS 105/125Y NA=0.22			



Specifications are subject to change without notice. In addition, AKELA can customize the laser design to meet different operating parameters. Please contact us for more details.

These components do not comply with the Federal Regulations (21 CFR Subchapter 1) as administered by the Center for Devices and Radiological health. Purchaser acknowledges that his/her products must comply with these regulations before they can be sold to a customer.